



**Enterprise Direction:**

Creating new products and being the industry model.  
Promoting global development to build long-term cooperation.

Products applied for parts of industry



Photovoltaic Power Project



Auto-parts Mechanical Industry



High Speed Railway Project



Subway Project



Building Industry



Wind Energy Project

Innovation

Delicate

Team Work

Service

**Enterprise philosophy:**

To establish enterprises with integrity, develop with good quality,  
strength with culture, famous with brand and energize with outstanding staff.

Whatsapp: 008615533066727

Email: tc.lisa@tian-cong.com tc.elite@tian-cong.com

jieke@tian-cong.com

https://www.tiancongfastener.com



WeChat

ISO 9001:2015 International Quality Management System

International Alibaba Verified Supplier

SGS international inspection&certificate

Import&Export Authority Enterprise



tiancong  
天聰



Handan City Tiancong Fastener Manufacturing Co.,Ltd



Handan City Tiancong Fastener Manufacturing Co.,Ltd

## Company Introduction

Handan City Tiancong Fastener Manufacturing Co., Ltd is an ISO9001 approved factory since 1989, located in China famous steel fastener production city - YongNian, with more than 30 years OEM production experience and highly positive feedback from China and oversea customers.

Our products have been exported to over 25 countries included Europe, America, South America, Asia, Middle-East, Africa....

We (Tiancong) have our own production lines from Cold-forging, Head forming, Threading, Heat Treatment, Surface Treatment, to Test Machines. Our professional technical engineers team can support you on how to choose the right fastener for new project design. Our strict management system and quick release rule from production team to packing process always play the most important role to ensure our customer getting what exactly they need timely, to guarantee our customer benefits for long term win-win cooperation.

Constantly technical innovation and equipment updating making us growing quickly following the market requirements every day, and the production scale is gradually expanding. We have grown to become a multifunctional comprehensive enterprise integrating the R&D, production of machinery processing, building accessories, auto-parts, electric power fittings and international standard fasteners, etc. Keeping improving for more new good products and services.

Our extensive range of fasteners have been used well for global big projects like China railway building, Singapore country garden building, Moscow high speed railway building, Ethiopia big bridge projects....

Our annual production capacity over 30000 tons support you short lead time for the stock standard popular items, best competitive labor and logistic cost.....

Welcome to contact us and visit our factory for more details.

### History

- In 2021, New advanced heat treatment machines and processing line put into production.
- In 2019, "TC" products was awarded as "National Authority Inspection & Qualified Products" by China Enterprise Brand Evaluation Management Center. The 10th time to attend Shanghai SNEC Expo.
- In 2016, Tiancong approved by ISO9001:2015 international quality management system, Imp&Exp business licence. Tiancong products were recognized as "Quality Assurance, National Standard Qualified Products" in fastener industry by China Quality Assurance Center.
- In 2013, "TC" brand fastener products were awarded as high-quality products in the industry.
- In 2010, Zinc-plating surface treatment factory set up.
- In 2007, Tiancong opened up the international market and won the recognition and praise of customers from the international market.
- In 2006, Tiancong won the standing director of the National Fastener Industry Association.
- In 2000, Production line set up.
- In 1995, Domestic market business developing quickly.
- In 1989, Start Business



Handan City Tiancong Fastener Manufacturing Co.,Ltd



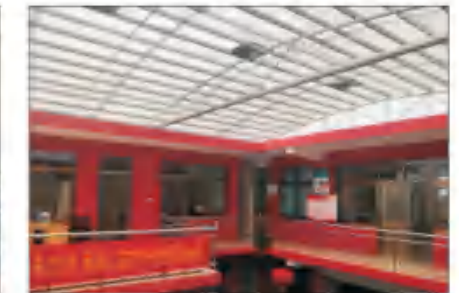
### Work Environment:



Reception Room



Office Center



Sales Center

Making superior bolts, nuts, washers to world for better life.

### Production Machines:



Hot Forging Machines



Cold Heading Production Line



Zinc-plating Workshop



Thread Rod Production Line



Raw Material Processing workshop



One Corner of Warehouse

Choose tiancong for better life



# Handan City Tiancong Fastener Manufacturing Co.,Ltd

Product Name: Hexagon Bolt

Standard: DIN933, DIN931, BSW, UNC, UNF

Size: Diameter M4- M60, Length 10-1000mm

Material: Q195, Q235, 35K, #45 steel, 35Crmo, 40Cr, 20Mntib, stainless steel, all from china large state-owned factory with quality certificates

Strength Gr.: 4.8, 5.8, 8.8, 1.9, 12.9, A2-70, A2-80, A4-70

Surface Treatment: Plain, Black oxide, Blue white/silver white zinc plated, Dacromet, Hot dip galvanized

Thread Length: Fully Thread, half thread

Customization: Customized head mark is available

Packing: 25kgs or 50kgs Bulk Woven Bag + Polywood Pallet

Application: construction, electric power line, new energy industry, auto industry, Wholesale, Distribution etc.

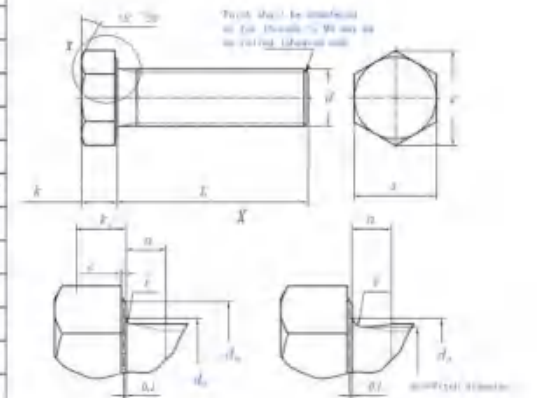
Choose us to get the satisfied quality fully meeting the standard dimension, sample for quality confirmation is free.



# Handan City Tiancong Fastener Manufacturing Co.,Ltd

Screw Thread d		M4	M5	M6	M7	M8	M10	M12	M16	M18	M20	M22	M24	M27	M30	
P	Pitch	0.7	0.8	1	1	1.25	1.5	1.75	2	2.5	2.5	2.5	3	3	3.5	
a	max	2.1	2.4	3	3	3.75	4.5	5.25	6	7.5	7.5	7.5	9	9	10.5	
c	min	0.15	0.15	0.15	0.15	0.15	0.15	0.15	0.2	0.2	0.2	0.2	0.2	0.2	0.2	
	max	0.4	0.5	0.5	0.5	0.6	0.6	0.6	0.8	0.8	0.8	0.8	0.8	0.8	0.8	
da	max	4.7	5.7	6.8	7.8	9.2	11.2	13.7	17.7	20.2	22.4	24.4	26.4	30.4	33.4	
dw	Grade A min	5.9	6.9	8.9	9.6	11.6	15.6	17.4	22.5	25.3	28.2	30	33.6	-	-	
	Grade B min	5.7	6.7	8.7	9.4	11.4	15.4	17.2	22	24.8	27.7	29.5	33.2	38	42.7	
e	Grade A min	7.66	8.79	11.05	12.12	14.38	18.9	21.1	26.75	30.14	33.53	35.72	39.98	-	-	
	Grade B min	7.5	8.63	10.89	11.94	14.2	18.72	20.88	26.17	29.56	32.95	35.03	39.55	45.2	50.85	
k	Nominal Size	2.8	3.5	4	4.8	5.3	6.4	7.5	10	11.5	12.5	14	15	17	18.7	
	Grade A	min	2.68	3.35	3.85	4.65	5.15	6.22	7.32	9.82	11.28	12.28	13.78	14.78	-	-
		max	2.92	3.65	4.15	4.95	5.45	6.56	7.68	10.18	11.72	12.72	14.22	15.22	-	-
	Grade B	min	2.6	3.26	3.76	4.56	5.06	6.11	7.21	9.71	11.15	12.15	13.65	14.65	16.65	18.28
max		3	3.74	4.24	5.04	5.54	6.69	7.79	10.29	11.85	12.85	14.35	15.35	17.35	19.12	
k1	min	1.9	2.28	2.63	3.19	3.54	4.28	5.05	6.8	7.8	8.5	9.6	10.3	11.7	12.8	
r	min	0.2	0.2	0.25	0.25	0.4	0.4	0.6	0.6	0.6	0.8	0.8	0.8	1	1	
s	max=nominal size	7	8	10	11	13	17	19	24	27	30	32	36	41	46	
	Grade A min	6.78	7.78	9.78	10.73	12.73	16.73	18.67	23.67	26.67	29.67	31.61	35.38	-	-	
	Grade B min	6.64	7.64	9.64	10.57	12.57	16.57	18.48	23.16	26.15	29.16	31	35	40	45	

Screw Thread d		M33	M36	M39	M42	M45	M48	M52	
P	Pitch	3.5	4	4	4.5	4.5	5	5	
a	max	10.5	12	12	13.5	13.5	15	15	
c	min	0.2	0.2	0.3	0.3	0.3	0.3	0.3	
	max	0.8	0.8	1	1	1	1	1	
da	max	36.4	39.4	42.4	45.6	48.6	52.6	56.6	
dw	Grade A min	-	-	-	-	-	-	-	
	Grade B min	46.5	51.1	55.9	59.9	64.7	69.4	74.2	
e	Grade A min	-	-	-	-	-	-	-	
	Grade B min	55.37	60.79	66.44	71.3	76.95	82.6	88.25	
k	Nominal Size	21	22.5	25	26	28	30	33	
	Grade A	min	-	-	-	-	-	-	-
		max	-	-	-	-	-	-	-
	Grade B	min	20.58	22.08	24.58	25.58	27.58	29.58	32.5
max		21.42	22.92	25.42	26.42	28.42	30.42	33.5	
k1	min	14.4	15.5	17.2	17.9	19.3	20.9	22.8	
r	min	1	1	1	1.2	1.2	1.6	1.6	
s	max=nominal size	50	55	60	65	70	75	80	
	Grade A min	-	-	-	-	-	-	-	
	Grade B min	49	53.8	58.8	63.1	68.1	73.1	78.1	



### Related Knowledge :

Hexagon head screw Hex cap screw and large hexagon bolt Hex bolt, as the name suggests, are designed to use a wrench for rotation. Hexagon bolts are the most widely used class of bolts.

Its class A and class B bolts are used for important, high assembly accuracy requirements, and withstand large impact vibration or alternating loads. Class C bolts are used for rough surface and assembly accuracy is not high.

The thread on the bolt, are generally ordinary thread, fine teeth ordinary thread bolt self-locking property is good, mainly used for thin wall parts or withstand impact, vibration or alternating load occasions. General bolts are made of partial thread, full thread bolts are mainly used for a short nominal length of bolts and longer thread requirements occasions.



# Handan City Tiancong Fastener Manufacturing Co.,Ltd

Product Name: DIN912 hexagon socket bolt

Key Words: DIN912, socket bolt, Allen key bolt

Size: Diameter M6- M100, Length 10-500mm

Material: Q195, Q235 35K, #45 steel, 10B21, 35Crmo, 40Cr, stainless steel, all from china large state-owned factory with quality certificates

Strength Gr.: 4.8, 8.8, 10.9, 12.9, A2-70, A2-80, A4-70

Surface Treatment: Plain, Black oxide, Blue white/silver white zinc plated, Dacromet, Hot dip galvanized

Thread Length: Fully Thread or half thread

Customization: Customized head mark is available

Packing: 25kgs or 50kgs Bulk Woven Bag + Polywood Pallet

Application: hexagon socket head cap bolts are mainly used in electronics, electrical appliances, electrical appliances, electric power, chemical industry, water conservancy, mechanical equipment, furniture and other fields.

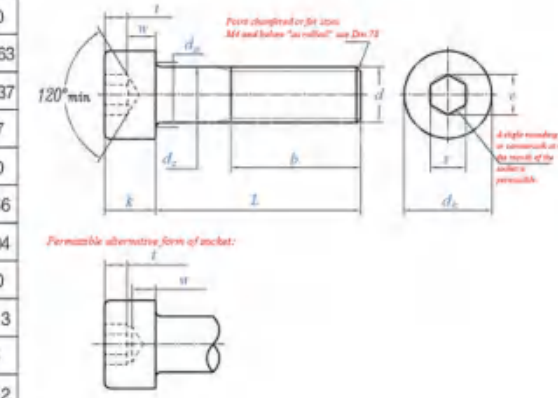


# Handan City Tiancong Fastener Manufacturing Co.,Ltd



Thread Size d		M1.4	M1.6	M2	M2.5	M3	M4	M5	M6	M8	M10	M12	M14	M16	M18	M20	M22	M24	M27	M30	
p	Pitch	Coarse thread	0.3	0.35	0.4	0.45	0.5	0.7	0.8	1	1.25	1.5	1.75	2	2	2.5	2.5	3	3	3.5	
		Fine thread pitch-1	-	-	-	-	-	-	-	-	1	1.25	1.25	1.5	1.5	1.5	1.5	1.5	2	2	2
		Fine thread pitch-2	-	-	-	-	-	-	-	-	-	1	1.5	-	-	2	2	2	-	-	-
dk	plain head	max	2.6	3	3.8	4.5	5.5	7	8.5	10	13	16	18	21	24	27	30	33	36	40	45
	knurled heads	max	2.74	3.14	3.98	4.68	5.68	7.22	8.72	10.22	13.27	16.27	18.27	21.33	24.33	27.33	30.33	33.39	36.39	40.39	45.39
		min	2.46	2.86	3.62	4.32	5.32	6.78	8.28	9.78	12.73	15.73	17.73	20.67	23.67	26.67	29.67	32.61	35.61	39.61	44.61
da	max	1.8	2	2.6	3.1	3.6	4.7	5.7	6.8	9.2	11.2	13.7	15.7	17.7	20.2	22.4	24.4	26.4	30.4	33.4	
ds	max	1.4	1.6	2	2.5	3	4	5	6	8	10	12	14	16	18	20	22	24	27	30	
	min	1.26	1.46	1.86	2.36	2.86	3.82	4.82	5.82	7.78	9.78	11.73	13.73	15.73	17.73	19.67	21.67	23.67	26.67	29.67	
e	min	1.5	1.73	1.73	2.3	2.87	3.44	4.58	5.72	6.86	9.15	11.43	13.72	16	16	19.44	19.44	21.73	21.73	25.15	
k	max	1.4	1.6	2	2.5	3	4	5	6	8	10	12	14	16	18	20	22	24	27	30	
	min	1.26	1.46	1.86	2.36	2.86	3.82	4.82	5.7	7.64	9.64	11.57	13.57	15.57	17.57	19.48	21.48	23.48	26.48	29.48	
s	Nominal Size	1.3	1.5	1.5	2	2.5	3	4	5	6	8	10	12	14	14	17	17	19	19	22	
	min	1.32	1.52	1.52	2.02	2.52	3.02	4.02	5.02	6.02	8.025	10.025	12.032	14.032	14.032	17.05	17.05	19.065	19.065	22.065	
	max	1.36	1.56	1.56	2.06	2.58	3.08	4.095	5.14	6.14	8.175	10.175	12.212	14.212	14.212	17.23	17.23	19.275	19.275	22.275	
t	min	0.6	0.7	1	1.1	1.3	2	2.5	3	4	5	6	7	8	9	10	11	12	13.5	15.5	
w	min	0.5	0.55	0.55	0.85	1.15	1.4	1.9	2.3	3	4	4.8	5.8	6.8	7.8	8.6	9.4	10.4	11.9	13.1	

Thread Size d		M33	M36	M42	M48	M56	M64	M72	M80	M90	M100
p	Pitch	Coarse thread	3.5	4	4.5	5	5.5	6	6	6	6
		Fine thread pitch-1	2	3	3	3	4	4	4	4	4
		Fine thread pitch-2	-	-	-	-	-	-	-	-	-
dk	plain head	max	50	54	63	72	84	96	108	120	135
	knurled heads	max	50.39	54.46	63.46	72.46	84.54	96.54	108.54	120.54	135.63
		min	49.61	53.54	62.54	71.54	83.46	95.46	107.46	119.46	134.37
da	max	36.4	39.4	45.5	52.6	63	71	79	87	97	107
ds	max	33	36	42	48	56	64	72	80	90	100
	min	32.61	35.61	41.61	47.61	55.54	63.54	71.54	79.54	89.46	99.46
e	min	27.43	30.85	36.57	41.13	46.83	52.53	62.81	74.21	85.61	97.04
k	max	33	36	42	48	56	64	72	80	90	100
	min	32.38	35.38	41.38	47.38	55.26	63.26	71.26	79.26	89.13	99.13
s	Nominal Size	24	27	32	36	41	46	55	65	75	85
	min	24.065	27.065	32.08	36.08	41.08	46.08	55.1	65.1	75.1	85.12
	max	24.275	27.275	32.33	36.33	41.33	46.33	55.4	65.4	75.4	85.47
t	min	18	19	24	28	34	38	43	48	54	60
w	min	13.5	15.3	16.3	17.5	19	22	25	27	32	34





# Handan City Tiancong Fastener Manufacturing Co.,Ltd

Product Name: DIN 6914 High-Strength Hexagon Bolts With Large Widths Across Flats For Structural Bolting

Key Words: Bolt, DIN6914, High-Strength Hexagon Bolts, hexagon bolt, 10.9 grade bolt, Structural Bolting

Size: Diameter M12- M36, Length 100-1000mm

Material: 40Cr, 20mntib, all from china large state-owned factory with quality certificates

Strength : Heat treatment Grade 10.9

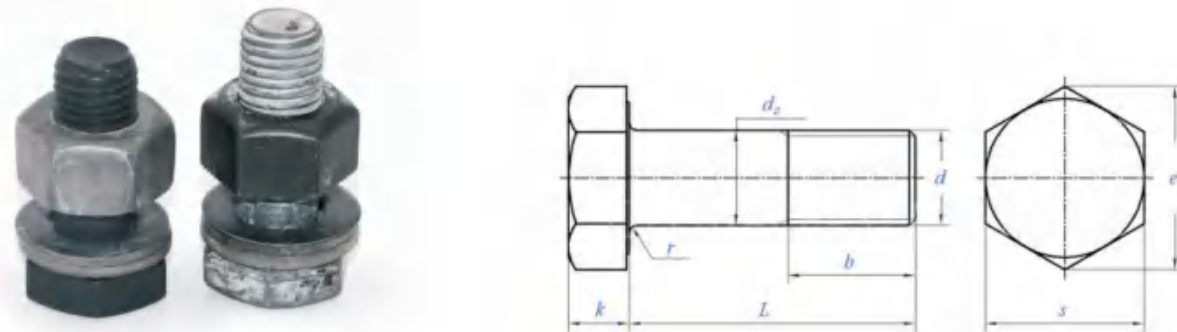
Surface Treatment: Black oxide, Zinc plated, Hot dip galvanized

Thread Length: Half Thread

Customization: Customized head mark is available

Packing: 25kgs or 50kgs Bulk Woven Bag + Polywood Pallet

Application: construction, electric power line, new energy industry, auto industry, etc.



Thread Size d		M12	M16	M20	M22	M24	M27	M30	M36
P	Pitch	1.75	2	2.5	2.5	3	3	3.5	4
	Nominal Size	12	16	20	22	24	27	30	36
d <sub>s</sub>	max	12.7	16.7	20.84	22.84	24.84	27.84	30.84	37
	min	11.3	15.3	19.16	21.16	23.16	26.16	29.16	35
e	min	23.91	29.56	35.03	39.55	45.2	50.85	55.37	66.44
k	Nominal Size	8	10	13	14	15	17	19	23
	max	8.45	10.75	13.9	14.9	15.9	17.9	20.05	24.05
	min	7.55	9.25	12.1	13.1	14.1	16.1	17.95	21.95
r	min	1.2	1.2	1.5	1.5	1.5	2	2	2
s	max=nominal size	22	27	32	36	41	46	50	60
	min	21.16	26.16	31	35	40	45	49	58.8



# Handan City Tiancong Fastener Manufacturing Co.,Ltd

Product Name: DIN 571 Hexagon Head Wood Screws

Key Words: Bolt, DIN571, fastener, hexagon bolt, Wood Screws, screw

Size: Diameter M4- M20, Length 10-1000mm

Material: Q195, Q235, 40Cr, all from china large state-owned factory with quality certificates

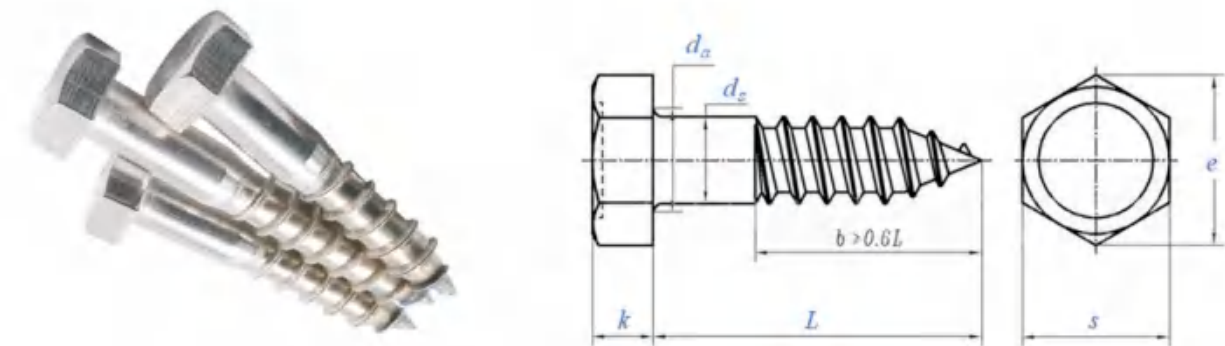
Strength Gr.: 4.8, 8.8

Surface Treatment: Zinc plated

Customization: Customized head mark is available

Packing: 25kgs or 50kgs Bulk Woven Bag + Polywood Pallet

Application: construction, electric power line, new energy industry, auto industry, etc.

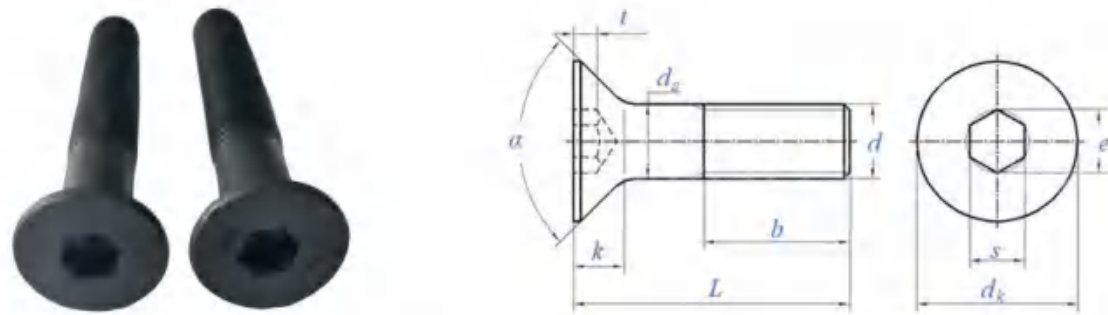


Screw Thread d		4	5	6	7	8	10	12	16	20
d <sub>s</sub>	max	4	5	6	7	8	10	12	16	20
	min	3.52	4.52	5.52	6.42	7.42	9.42	11.3	15.3	19.3
d <sub>a</sub>	max	5	6	7.2	8.2	10.2	12.2	15.2	19.2	24.4
k	Nominal Size	2.8	3.5	4	5	5.5	7	8	10	13
	max	3.1	3.88	4.38	5.38	5.88	7.45	8.45	10.45	13.9
	min	2.5	3.13	3.63	4.63	5.13	6.55	7.55	9.55	12.1
s	max=nominal size	7	8	10	12	13	17	19	24	30
	min	6.64	7.64	9.64	11.57	12.57	16.57	18.48	23.16	29.16
e	min	7.5	8.63	10.89	13.07	14.2	18.72	20.88	26.17	32.95



# Handan City Tiancong Fastener Manufacturing Co.,Ltd

Product Name: DIN 7991 Hexagon Socket Countersunk Head Cap Screws  
 Key Words: Bolt, DIN 7991, Countersunk Head Cap Screws, hexagon bolt, Hexagon Socket Screws  
 Size: Diameter M3- M24, Length 10-500mm  
 Material: Q195, Q235, 40Cr all from china large state-owned factory with quality certificates  
 Strength : Grade 4.8, 8.8, 10.9, 12.9  
 Surface Treatment: Black oxide, zinc plated  
 Thread Length: Fully/half Thread  
 Customization: Customized head mark is available  
 Packing: 25kgs or 50kgs Bulk Woven Bag + Polywood Pallet  
 Application: construction, electric power line, new energy industry, auto industry, etc.

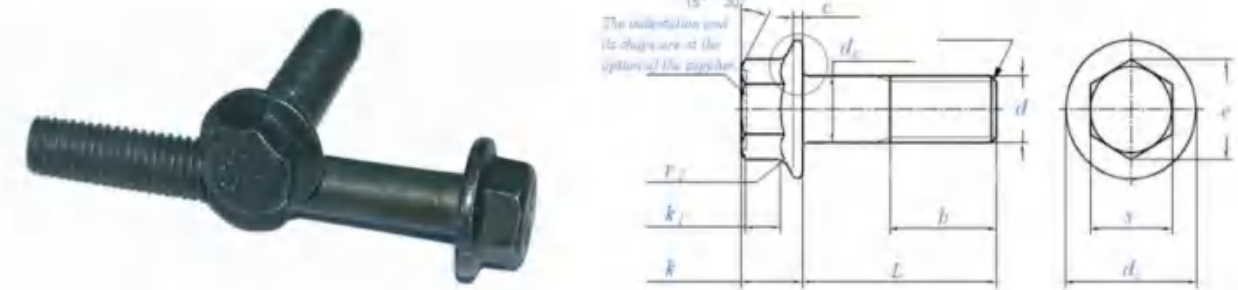


Screw Thread d	M3	M4	M5	M6	M8	M10	M12	M14	M16	M18	M20	M22	M24
P Pitch	0.5	0.7	0.8	1	1.25	1.5	1.75	2	2	2.5	2.5	2.5	3
a tol.(+2)	90°	90°	90°	90°	90°	90°	90°	90°	90°	90°	90°	60°	60°
b	L ≤ 125	12	14	16	18	22	26	30	34	38	42	46	50
	125 < L ≤ 200	/	/	/	24	28	32	36	40	44	48	52	56
	L > 200	/	/	/	/	/	45	49	53	57	61	65	69
d_k	max=nominal size	6	8	10	12	16	20	24	27	30	33	36	39
	min	5.7	7.64	9.64	11.57	15.57	19.48	23.48	26.48	29.48	32.38	35.38	38.38
d_s	max=nominal size	3	4	5	6	8	10	12	14	16	18	20	22
	min	2.86	3.82	4.82	5.82	7.78	9.78	11.73	13.73	15.73	17.73	19.67	21.67
e min	2.3	2.87	3.44	4.58	5.72	6.86	9.15	11.43	11.43	13.72	13.72	16	16
k max	1.7	2.3	2.8	3.3	4.4	5.5	6.5	7	7.5	8	8.5	13.1	14
s	Nominal Size	2	2.5	3	4	5	6	8	10	10	12	12	14
	min	2.02	2.52	3.02	4.02	5.02	6.02	8.025	10.025	10.025	12.032	12.032	14.032
	max	2.1	2.6	3.1	4.12	5.14	6.14	8.175	10.175	10.175	12.212	12.212	14.212
t	max=nominal size	1.2	1.8	2.3	2.5	3.5	4.4	4.6	4.8	5.3	5.5	5.9	8.8
	min	0.95	1.55	2.05	2.25	3.2	4.1	4.3	4.5	5	5.2	5.6	8.44

# Handan City Tiancong Fastener Manufacturing Co.,Ltd



Product Name: DIN 6921 Hexagon Flange Bolts  
 Key Words: Bolt, DIN 6921, Hexagon Flange Bolts, hexagon bolt, Flange Bolts  
 Size: Diameter M5- M20, Length 10-500mm  
 Material: Q195, Q235, 35K, 45#steel, 35Crmo, 40Cr all from china large state-owned factory with quality certificates  
 Strength Gr.: 4.8, 8.8, 10.9  
 Surface Treatment: Black oxide, Zinc plated  
 Thread Length: Fully/half Thread  
 Customization: Customized head mark is available  
 Packing: 25kgs or 50kgs Bulk Woven Bag + Polywood Pallet  
 Application: construction, electric power line, new energy industry, auto industry, etc.



Screw Thread d	M5	M6	M8	M10	M12	M14	M16	M20
P Pitch	Coarse thread	0.8	1	1.25	1.5	1.75	2	2.5
	Fine thread-1	/	/	1	1.25	1.5	1.5	1.5
	Fine thread-2	/	/	/	1	1.25	/	/
b	L ≤ 125	16	18	22	26	30	34	46
	125 < L ≤ 200	/	/	28	32	36	40	52
	L > 200	/	/	/	/	/	/	65
c min	1	1.1	1.2	1.5	1.8	2.1	2.4	3
d_a	Form A max	5.7	6.8	9.2	11.2	13.7	15.7	22.4
	Form B max	6.2	7.4	10	12.6	15.2	17.7	25.7
d_c max	11.8	14.2	18	22.3	26.6	30.5	35	43
d_s	max	5	6	8	10	12	14	20
	min	4.82	5.82	7.78	9.78	11.73	13.73	19.67
d_u max	5.5	6.6	9	11	13.5	15.5	17.5	22
d_w min	9.8	12.2	15.8	19.6	23.8	27.6	31.9	39.9
e min	8.71	10.95	14.26	16.5	17.62	19.86	23.15	29.87
f max	1.4	2	2	2	3	3	3	4
k max	5.4	6.6	8.1	9.2	11.5	12.8	14.4	17.1
k_1 min	2	2.5	3.2	3.6	4.6	5.1	5.8	6.8
r_1 min	0.25	0.4	0.4	0.4	0.6	0.6	0.6	0.8
r_2 max	0.3	0.4	0.5	0.6	0.7	0.9	1	1.2
r_3 min	0.1	0.1	0.15	0.2	0.25	0.3	0.35	0.4
r_4	3	3.4	4.3	4.3	6.4	6.4	6.4	8.5
s	max=nominal size	8	10	13	15	16	18	27
	min	7.78	9.78	12.73	14.73	15.73	17.73	26.67
t	max	0.15	0.2	0.25	0.3	0.35	0.45	0.65
	min	0.05	0.05	0.1	0.15	0.15	0.2	0.3



# Handan City Tiancong Fastener Manufacturing Co.,Ltd

Product Name: DIN 1587 Hexagon Cap Nuts, High Type

Key Words: Hexagon Cap Nuts, DIN 1587, High Type Nuts, hexagon nut, Cap Nuts

Size: Diameter M4– M24

Material: Q195, Q235 all from china large state-owned factory with quality certificates

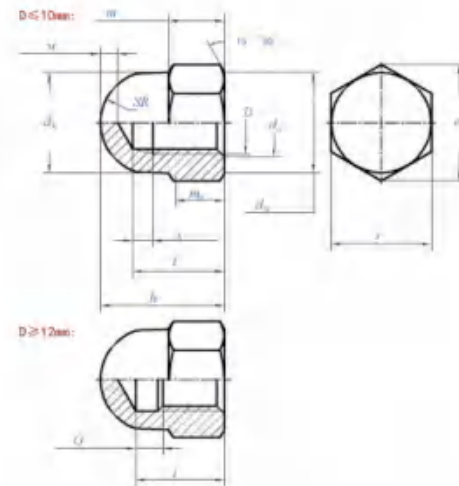
Strength : Low carbon steel, high strength

Surface Treatment: black oxide, Zinc plated

Customization: Customized head mark is available

Packing: 25kgs or 50kgs Bulk Woven Bag + Polywood Pallet

Application: construction, electric power line, new energy industry, auto industry, etc.



Thread Size D		M4	M5	M6	M8	M10	M12	(M14)	M16	(M18)	M20	(M22)	M24
P	Coarse thread	0.7	0.8	1	1.25	1.5	1.75	2	2	2.5	2.5	2.5	3
	Fine thread -1	/	/	/	1	1.25	1.5	1.5	1.5	2	2	2	2
	Fine thread -2	/	/	/	/	1	1.25	/	/	1.5	1.5	1.5	/
d <sub>a</sub>	max	4.6	5.75	6.75	8.75	10.8	13	15.1	17.3	19.5	21.6	23.7	25.9
	min	4	5	6	8	10	12	14	16	18	20	22	24
d <sub>k</sub>	min=nominal size	6.5	7.5	9.5	12.5	15	17	20	23	26	28	33	34
d <sub>w</sub>	min	5.9	6.9	8.9	11.6	14.6	16.6	19.6	22.5	24.9	27.7	31.4	33.3
e	Grade A	min	7.66	8.79	11.05	14.38	17.77	20.03	23.35	26.75	30.14	33.53	37.29
	Grade B	min	7.5	8.63	10.89	14.2	17.59	19.85	22.78	26.17	29.56	32.95	37.29
x	Coarse thread	max	1.4	1.6	2	2.5	3	3.5	4	5	5	5	6
	Fine thread	max	/	/	/	2	2.5	3	3	4	4	4	4
G	Coarse thread	max	2.75	3	3.7	4.9	5.6	6.4	7.3	7.3	9.3	9.3	10.7
	Fine thread	max	/	/	/	3.7	4.9	5.6	5.6	5.6	7.3	7.3	7.3
h	max=nominal size	8	10	12	15	18	22	25	28	32	34	39	42
	Grade A	Amin	7.64	9.64	11.57	14.57	17.57	21.48	24.48	27.48	31.38	33.38	38.38
	Grade B	Bmin	7.42	9.42	11.3	14.3	17.3	21.16	24.16	27.16	31	33	38
m	max	3.2	4	5	6.5	8	10	11	13	15	16	18	19
	min	2.9	3.7	4.7	6.14	7.64	9.64	10.3	12.3	14.3	14.9	16.9	17.7
m <sub>w</sub>	min	2.32	2.96	3.76	4.91	6.11	7.71	8.24	9.84	11.44	11.92	13.52	14.16
SR	≈	3.25	3.75	4.75	6.25	7.5	8.5	10	11.5	13	14	16.5	17
s	max=nominal size	7	8	10	13	16	18	21	24	27	30	34	36
	Grade A	(Grade A)	6.78	7.78	9.78	12.73	15.73	17.73	20.67	23.67	26.67	29.67	33.38
	Grade B	(Grade B)	6.64	7.64	9.64	12.57	15.57	17.57	20.16	23.16	26.16	29.16	33
t	max	5.74	7.79	8.29	11.35	13.35	16.35	18.35	21.42	25.42	26.42	29.42	31.5
	min	5.26	7.21	7.71	10.65	12.65	15.65	17.65	20.58	24.58	25.58	28.58	30.5
w	min	2	2	2	2	2	3	4	4	5	5	5	6
	Coarse thread	1.5	2.2	4.6	8.9	20.1	28.3	39.7	54.3	79.1	104	/	216
per 1000 units = kg	Fine thread	/	/	/	11	20.1	28.3	39.7	54.3	95	104	/	216

# Handan City Tiancong Fastener Manufacturing Co.,Ltd



Product Name: DIN 6334 Hexagon coupling nuts 3d

Key Words: Hexagon coupling nuts, DIN 6334, coupling nuts, hexagon nut, long hex nut

Size: Diameter M6– M36

Material: Q195, Q235, 35K, 45#steel all from china large state-owned factory with quality certificates

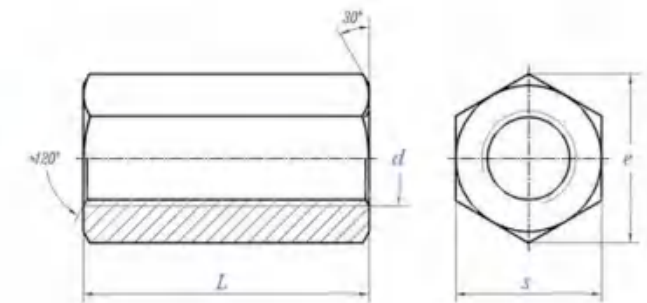
Strength Gr.: Low, high strength

Surface Treatment: Black, Zinc plated

Customization: OEM service available

Packing: 25kgs or 50kgs Bulk Woven Bag + Polywood Pallet

Application: construction, electric power line, new energy industry, auto industry, etc.



Screw Thread d	M6	M8	M10	M12	M14	M16	M18	M20	M22	M24	M27	M30	M33	M36
P	Pitch	1	1.25	1.5	1.75	2	2	2.5	2.5	2.5	3	3	3.5	3.5
s		10	13	17	19	22	24	27	30	32	36	41	46	50
L		18	24	30	36	42	48	54	60	66	72	81	90	99
e		11.05	14.38	18.9	21.1	24.49	26.75	29.56	33.53	35.03	39.98	45.2	50.85	55.37
per 1000 units = kg		7	18	42	63	95.5	122	140	240	300	412	608	825	1100



# Handan City Tiancong Fastener Manufacturing Co.,Ltd

Product Name: DIN 6923 Hexagon Nuts With Flange

Key Words: Hexagon flange nuts, DIN 6923, flange nuts, hexagon nut

Size: Diameter M5– M20

Material: Q195, Q235, 35K, 45# steel all from china large state-owned factory with quality certificates

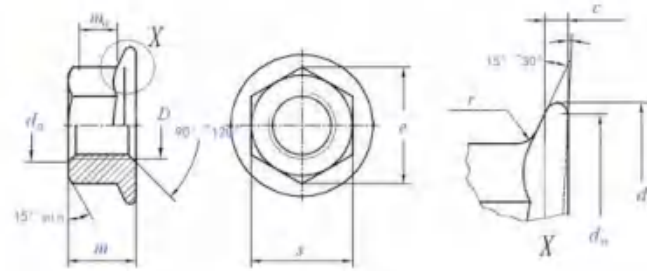
Strength : Low, high strength

Surface Treatment: Black, Zinc plated

Customization: Customized head mark is available

Packing: 25kgs or 50kgs Bulk Woven Bag + Polywood Pallet

Application: construction, electric power line, new energy industry, auto industry, etc.



Thread Size D		M5	M6	M8	M10	M12	M14	M16	M20
P	Coarse thread	0.8	1	1.25	1.5	1.75	2	2	2.5
	Fine thread 1	/	/	1	1.25	1.5	1.5	1.5	1.5
	Fine thread 2	/	/	/	-1	-1.25	/	/	/
c	min	1	1.1	1.2	1.5	1.8	2.1	2.4	3
d <sub>a</sub>	min	5	6	8	10	12	14	16	20
	max	5.75	6.75	8.75	10.8	13	15.1	17.3	21.6
d <sub>c</sub>	max	11.8	14.2	17.9	21.8	26	29.9	34.5	42.8
d <sub>w</sub>	min	9.8	12.2	15.8	19.6	23.8	27.6	31.9	39.9
e	min	8.79	11.05	14.38	16.64	20.03	23.36	26.75	32.95
m	max	5	6	8	10	12	14	16	20
	min	4.7	5.7	7.6	9.6	11.6	13.3	15.3	18.9
m <sub>w</sub>	min	2.2	3.1	4.5	5.5	6.7	7.8	9	11.1
s	max=nominal size	8	10	13	15	18	21	24	30
	min	7.78	9.78	12.73	14.73	17.73	20.67	23.67	29.67
r	max	0.3	0.36	0.48	0.6	0.72	0.88	0.96	/

# Handan City Tiancong Fastener Manufacturing Co.,Ltd



Product Name: DIN 127 (B) – 1987 Spring Lock Washers, With Square Ends –B type

Key Words: Washers, DIN 127, Spring Lock Washers, Lock Washers

Size: Diameter M2– M100

Material: Q195, Q235, 45#, 20Mntib, all from china large state-owned factory with quality certificates

Strength : Normal/High tensil

Surface Treatment: hot dip galvanized, Natural color, zinc plated, black oxide

Customization: Customized head mark is available

Packing: 25kgs or 50kgs Bulk Woven Bag + Polywood Pallet

Application: construction, electric power line, new energy industry, auto industry, etc.



Nominal Diameter	Φ2	Φ2.2	Φ2.5	Φ3	Φ3.5	Φ4	Φ5	Φ6	Φ7	Φ8	Φ10	Φ12	Φ14	Φ16	Φ18	Φ20	Φ22	
d	min	2.1	2.3	2.6	3.1	3.6	4.1	5.1	6.1	7.1	8.1	10.2	12.2	14.2	16.2	18.2	20.2	22.5
	max	2.4	2.6	2.9	3.4	3.9	4.4	5.4	6.5	7.5	8.5	10.7	12.7	14.7	17	19	21.2	23.5
n	Nominal Size	0.9	1	1	1.3	1.3	1.5	1.8	2.5	2.5	3	3.5	4	4.5	5	5	6	6
	max	1	1.1	1.1	1.4	1.4	1.6	1.9	2.65	2.65	3.15	3.7	4.2	4.7	5.2	5.2	6.2	6.2
	min	0.8	0.9	0.9	1.2	1.2	1.4	1.7	2.35	2.35	2.85	3.3	3.8	4.3	4.8	4.8	5.8	5.8
h	Nominal Size	0.5	0.6	0.6	0.8	0.8	0.9	1.2	1.6	1.6	2	2.2	2.5	3	3.5	3.5	4	4
	max	0.6	0.7	0.7	0.9	0.9	1	1.3	1.7	1.7	2.1	2.35	2.65	3.15	3.7	3.7	4.2	4.2
	min	0.4	0.5	0.5	0.7	0.7	0.8	1.1	1.5	1.5	1.9	2.05	2.35	2.85	3.3	3.3	3.8	3.8
H	min	1	1.2	1.2	1.6	1.6	1.8	2.4	3.2	3.2	4	4.4	5	6	7	7	8	8
	max	1.2	1.4	1.4	1.9	1.9	2.1	2.8	3.8	3.8	4.7	5.2	5.9	7.1	8.3	8.3	9.4	9.4
per 1000 units = kg		0.033	0.05	0.053	0.11	0.12	0.18	0.36	0.83	0.93	1.6	2.53	3.82	6.01	8.91	9.73	15.2	16.5

Nominal Diameter	Φ24	Φ27	Φ30	Φ36	Φ39	Φ42	Φ45	Φ48	Φ52	Φ56	Φ60	Φ64	Φ68	Φ72	Φ80	Φ90	Φ100	
d	min	24.5	27.5	30.5	36.5	39.5	42.5	45.5	49	53	57	61	65	69	73	81	91	101
	max	25.5	28.5	31.7	37.7	40.7	43.7	46.7	50.5	54.5	58.5	62.5	66.5	70.5	74.5	82.5	92.5	102.5
n	Nominal Size	7	7	8	10	10	12	12	14	14	14	14	14	14	14	14	14	14
	max	7.25	7.25	8.25	10.25	10.25	12.25	12.25	14.25	14.25	14.25	14.25	14.25	14.25	14.25	14.25	14.25	14.25
	min	6.75	6.75	7.75	9.75	9.75	11.75	11.75	13.75	13.75	13.75	13.75	13.75	13.75	13.75	13.75	13.75	13.75
h	Nominal Size	5	5	6	6	6	7	7	8	8	8	8	8	8	8	8	8	8
	max	5.2	5.2	6.2	6.2	6.2	7.25	7.25	8.25	8.25	8.25	8.25	8.25	8.25	8.25	8.25	8.25	8.25
	min	4.8	4.8	5.8	5.8	5.8	6.75	6.75	7.75	7.75	7.75	7.75	7.75	7.75	7.75	7.75	7.75	
H	min	10	10	12	12	12	14	14	16	16	16	16	16	16	16	16	16	16
	max	11.8	11.8	14.2	14.2	14.2	16.5	16.5	18.9	18.9	18.9	18.9	18.9	18.9	18.9	18.9	18.9	18.9
per 1000 units = kg		26.2	28.7	44.3	67.3	71.7	111	117	123	182	193	203	218	228	240	262	290	318





# Handan City Tiancong Fastener Manufacturing Co.,Ltd

Product Name: DIN 125-1 – 1990 Washers Product Grade A, up to Hardness 250 HV, Primarily For Hexagon Bolts and Nuts

Key Words: Washers, DIN 125, flat Washers, plain Washers

Size: Diameter M1.7– M165

Material: Q195, Q235, 45#, 20Mntib, all from china large state-owned factory with quality certificates

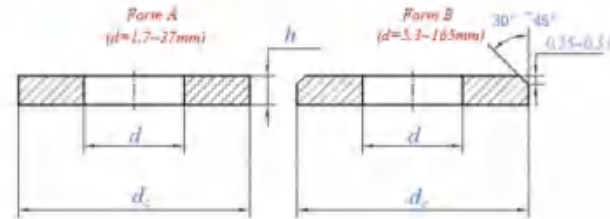
Strength : Normal/High tensil

Surface Treatment: hot dip galvanized, Natural color, zinc plated, black oxide

Customization: Customized head mark is available

Packing: 25kgs or 50kgs Bulk Woven Bag + Polywood Pallet

Application: construction, electric power line, new energy industry, auto industry, etc.



Size	Φ1.7	Φ1.8	Φ2.2	Φ2.5	Φ2.7	Φ2.8	Φ3.2	Φ3.7	Φ4.3	Φ5.3	Φ6.4	Φ7.4	Φ8.4	Φ10.5	Φ13	Φ15	Φ17	Φ19	Φ21	Φ23	Φ25	
M	M1.6	M1.7	M2	M2.3	M2.5	M2.6	M3	M3.5	M4	M5	M6	M7	M8	M10	M12	M14	M16	M18	M20	M22	M24	
d	min=nominal size	1.7	1.8	2.2	2.5	2.7	2.8	3.2	3.7	4.3	5.3	6.4	7.4	8.4	10.5	13	15	17	19	21	23	25
	max	1.84	1.94	2.34	2.64	2.84	2.94	3.38	3.88	4.48	5.48	6.62	7.62	8.62	10.77	13.27	15.27	17.27	19.33	21.33	23.33	25.33
d <sub>c</sub>	max=nominal size	4	4.5	5	6	6	7	7	8	9	10	12	14	16	20	24	28	30	34	37	39	44
	min	3.7	4.2	4.7	5.7	5.7	6.64	6.64	7.64	8.64	9.64	11.57	13.57	15.57	19.48	23.48	27.48	29.48	33.38	36.38	38.38	43.38
h	Nominal Size	0.3	0.3	0.3	0.5	0.5	0.5	0.5	0.8	1	1.6	1.6	1.6	2	2.5	2.5	3	3	3	3	3	4
	max	0.35	0.35	0.35	0.55	0.55	0.55	0.55	0.9	1.1	1.8	1.8	1.8	2.2	2.7	2.7	3.3	3.3	3.3	3.3	3.3	4.3
	min	0.25	0.25	0.25	0.45	0.45	0.45	0.45	0.7	0.9	1.4	1.4	1.4	1.8	2.3	2.3	2.7	2.7	2.7	2.7	2.7	3.7
per 1000 units ≈ kg	0.024	0.031	0.037	0.092	0.088	0.127	0.119	0.155	0.308	0.443	1.02	1.39	1.83	3.57	6.27	8.62	11.3	14.7	17.2	18.3	32.3	

Size	Φ27	Φ28	Φ29	Φ31	Φ33	Φ34	Φ36	Φ37	Φ39	Φ40	Φ41	Φ43	Φ46	Φ50	Φ52	Φ54	Φ57	Φ58	Φ60	Φ62	Φ66	
M	M26	M27	M28	M30	M32	M33	M35	M36	M38	M39	M40	M42	M45	M48	M50	M52	M55	M56	M58	M60	M64	
d	min=nominal size	27	28	29	31	33	34	36	37	39	40	41	43	46	50	52	54	57	58	60	62	66
	max	27.33	28.33	29.33	31.39	33.62	34.62	36.62	37.62	39.62	40.62	41.62	43.62	46.62	50.62	52.74	54.74	57.74	58.74	60.74	62.74	66.74
d <sub>c</sub>	max=nominal size	50	50	50	56	60	66	66	72	72	72	78	85	92	92	98	105	105	110	110	110	115
	min	49.38	49.38	49.38	55.26	58.8	58.8	64.8	64.8	70.8	70.8	70.8	76.8	83.6	90.6	90.6	96.6	103.6	103.6	108.6	108.6	113.6
h	Nominal Size	4	4	4	4	5	5	5	6	6	6	7	7	8	8	8	9	9	9	9	9	
	max	4.3	4.3	4.3	4.3	5.6	5.6	5.6	6.6	6.6	6.6	8	8	8	9	9	10	10	10	10	10	
	min	3.7	3.7	3.7	3.7	4.4	4.4	4.4	4.4	5.4	5.4	5.4	6	6	7	7	8	8	8	8	8	
per 1000 units ≈ kg	43.7	42.3	40.9	53.6	77.4	75.3	94.3	92.1	136	133	130	183	220	294	284	330	431	425	472	458	492	

Size	Φ70	Φ74	Φ78	Φ82	Φ87	Φ93	Φ98	Φ104	Φ109	Φ114	Φ119	Φ124	Φ129	Φ134	Φ139	Φ144	Φ149	Φ155	Φ165	
M	M68	M72	M76	M80	M85	M90	M95	M100	M105	M110	M115	M120	M125	M130	M135	M140	M145	M150	M160	
d	min=nominal size	70	74	78	82	87	93	98	104	109	114	119	124	129	134	139	144	149	155	165
	max	70.74	74.74	78.74	82.87	87.87	93.87	98.87	104.87	109.87	114.87	119.87	125	130	135	140	145	150	156	166
d <sub>c</sub>	max=nominal size	120	125	135	140	145	160	165	175	180	185	200	210	220	220	230	240	250	250	250
	min	118.6	123.4	133.4	138.4	143.4	158.4	163.4	173.4	178.4	183.15	198.15	208.15	218.15	218.15	228.15	238.15	248.15	248.15	248.15
h	Nominal Size	10	10	10	12	12	12	14	14	14	14	16	16	16	16	18	18	18	18	
	max	11	11	11	13.2	13.2	13.2	15.2	15.2	15.2	15.2	17.2	17.2	17.2	17.2	19.2	19.2	19.2	19.2	
	min	9	9	9	10.8	10.8	10.8	12.8	12.8	12.8	12.8	14.8	14.8	14.8	14.8	16.8	16.8	16.8	16.8	
per 1000 units ≈ kg	586	626	749	953	996	1250	1300	1710	1770	1830	2230	2830	3130	3000	3310	4090	4470	4270	3910	



# Handan City Tiancong Fastener Manufacturing Co.,Ltd

Product Name: DIN 9021 – 1990 Large Plain Washers – Product Grade A

Key Words: Washers, DIN 9021, flat Washers, plain Washers, Large Plain Washers

Size: Diameter M2.7– M39

Material: Q195, Q235, 40 Cr, all from china large state-owned factory with quality certificates

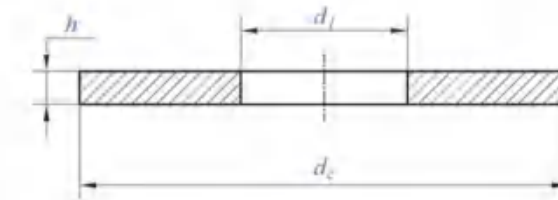
Strength : Normal/High tensil

Surface Treatment: hot dip galvanized, Natural color, zinc plated, black oxide

Customization: Customized head mark is available

Packing: 25kgs or 50kgs Bulk Woven Bag + Polywood Pallet

Application: construction, electric power line, new energy industry, auto industry, etc.



Nominal Diameter	2.7	3.2	3.7	4.3	5.3	6.4	7.4	8.4	10.5	13	15	17	20	22	26	33	39	
For thread diameter	2.5	3	3.5	4	5	6	7	8	10	12	14	16	18	20	24	30	36	
d <sub>i</sub>	min=nominal size	2.7	3.2	3.7	4.3	5.3	6.4	7.4	8.4	10.5	13	15	17	20	22	26	33	39
	max	2.84	3.38	3.88	4.48	5.48	6.62	7.62	8.62	10.77	13.27	15.27	17.27	20.52	22.52	26.84	34	40
d <sub>c</sub>	max=nominal size	8	9	11	12	15	18	22	24	30	37	44	50	56	60	72	92	110
	min	7.64	8.64	10.57	11.57	14.57	17.57	21.48	23.48	29.48	36.38	43.38	49.38	54.1	58.1	70.1	89.8	107.8
h	Nominal Size	0.8	0.8	0.8	1	1.2	1.6	2	2	2.5	3	3	3	4	4	5	6	8
	max	0.9	0.9	0.9	1.1	1.4	1.8	2.2	2.2	2.7	3.3	3.3	3.3	4.6	4.6	6	7	9.2
	min	0.7	0.7	0.7	0.9	1	1.4	1.8	1.8	2.3	2.7	2.7	2.7	3.4	3.4	4	5	6.8
per 1000 units ≈ kg	0.28	0.349	0.529	0.774	1.46	2.79	5.29	6.23	12.2	22.2	31.6	40.9	67.4	76.8	139	273	522	



# Handan City Tiancong Fastener Manufacturing Co.,Ltd

Product Name: DIN975 Fully Threaded Rods

Key Words: Rods,fully threaded bar,4.8 rods,DIn975

Size: Diameter M3–M52

Material: Q195, Q235,35K,45#steel all from china large state-owned factory with quality certificates

Strength Gr.: 4.8, 8.8, 10.9

Surface Treatment: Plain,zinc plated,Hot dip galvanized

Customization: Customized unit weight quality is available

Packing: 5–20pcs/bundle wrapped with woven bag, + polywood pallet

Application: The rotation of the shaft end motor is converted into a linear motion by the relative rotation of the screw and the nut. Thus realizing the high-precision displacement positioning. On the contrary, the linear movement can also be turned into a rotary movement.



Thread Size d		M3	(M3.5)	M4	M5	M6	M8	M10	M12	(M14)	M16	(M18)	M20
P	Coarse Thread Pitch	0.5	0.6	0.7	0.8	1	1.25	1.5	1.75	2	2	2.5	2.5
	Fine Thread Pitch	/	/	/	/	/	1	1.25	1.25	1.5	1.5	1.5	1.5
	Fine Thread Pitch	/	/	/	/	/	/	1	1.5	/	/	/	/
L	±10	1000	1000	1000	1000	1000	1000	1000	1000	1000	1000	1000	1000
per 1000 units ≈ kg		44	60	78	124	177	319	500	725	970	1330	1650	2080

Thread Size d		(M22)	M24	(M27)	M30	(M33)	M36	(M39)	M42	(M45)	M48	(M52)
P	Coarse Thread Pitch	2.5	3	3	3.5	3.5	4	4	4.5	4.5	5	5
	Fine Thread Pitch	1.5	2	2	2	2	3	3	3	3	3	3
	Fine Thread Pitch	/	/	/	/	/	/	/	/	/	/	/
L	±10	1000	1000	1000	1000	1000	1000	1000	1000	1000	1000	1000
per 1000 units ≈ kg		2540	3000	3850	4750	5900	6900	8200	9400	11000	12400	14700



# Handan City Tiancong Fastener Manufacturing Co.,Ltd

Hexagon Nuts With Metric Coarse And Fine Pitch thread M1–M160 grade 4 with white zinc plated surface

Product Name: DIN934 Hexagon Nuts grade 4

Key Words: Hexagon Nuts,nut, DIN934

Size: Diameter M4–M100

Material: Q195, Q235,35K, 45#,all from china large state-owned factory with quality certificates

Strength Gr.: 4, 8, 10

Surface Treatment: Plain,blue white/white zinc plated, Hot dip galvanized

Customization: Customized head mark is available

Packing: 25kgs or 50kgs Bulk Woven Bags or Carton Boxes + Polywood Pallet

Application: Including electronics and electrical, automobile, railway, shipbuilding, construction, machinery and medical equipment and many other industries and fields. The size of the nut must match the size of the bolt.



Thread Size d		M4	M5	M6	(M7)	M8	M10	M12	(M14)	M16	(M18)	M20	(M22)	M24	(M27)	M30	(M33)
P	Coarse thread	0.7	0.8	1	1	1.25	1.5	1.75	2	2	2.5	2.5	2.5	3	3	3.5	3.5
	Fine thread-1	/	/	/	/	/	1	1.5	1.5	1.5	1.5	2	1.5	2	2	2	2
	Fine thread-2	/	/	/	/	/	/	1.25	1.25	/	/	2	1.5	2	/	/	/
m	max=nominal size	3.2	4	5	5.5	6.5	8	10	11	13	15	16	18	19	22	24	26
	min	2.9	3.7	4.7	5.2	6.14	7.64	9.64	10.3	12.3	14.3	14.9	16.9	17.7	20.7	22.7	24.7
m <sub>w</sub>	min	2.32	2.96	3.76	4.16	4.91	6.11	7.71	8.24	9.84	11.44	11.92	13.52	14.16	16.56	18.16	19.76
	max=nominal size	7	8	10	11	13	17	19	22	24	27	30	32	36	41	46	50
s	min	6.78	7.78	9.78	10.73	12.73	16.73	18.67	21.67	23.67	26.16	29.16	31	35	40	45	49
	min	7.66	8.79	11.05	12.12	14.38	18.9	21.1	24.49	26.75	29.56	32.95	35.03	39.55	45.2	50.85	55.37
per 1000 units ≈ kg		0.81	1.23	2.5	3.12	5.2	11.6	17.3	25	33.3	49.4	64.4	79	110	165	223	288

Thread Size d		M36	(M39)	M42	(M45)	M48	(M52)	M56	(M60)	M64	(M68)	M72	(M76)	M80	(M85)	M90	M100
P	Coarse thread	4	4	4.5	4.5	5	5	5.5	5.5	6	6	/	/	/	/	/	/
	Fine thread-1	3	3	3	3	3	3	4	4	4	/	6	6	6	6	6	6
	Fine thread-2	/	/	/	/	/	/	/	/	/	/	4	4	4	4	4	4
m	max=nominal size	29	31	34	36	38	42	45	48	51	54	58	61	64	68	72	80
	min	27.4	29.4	32.4	34.4	36.4	40.4	43.4	46.4	49.1	52.1	56.1	59.1	62.1	66.1	70.1	78.1
m <sub>w</sub>	min	21.92	23.52	25.9	27.5	29.1	32.3	34.7	37.1	39.3	41.7	44.9	47.3	49.7	52.9	56.1	62.5
	max=nominal size	55	60	65	70	75	80	85	90	95	100	105	110	115	120	130	145
s	min	53.8	58.8	63.1	68.1	73.1	78.1	82.8	87.8	92.8	97.8	102.8	107.8	112.8	117.8	127.5	142.5
	min	60.79	66.44	71.3	76.95	82.6	88.25	93.56	99.21	104.86	110.51	116.16	121.81	127.46	133.11	144.08	161.02
per 1000 units ≈ kg		393	502	652	800	977	1220	1420	1690	1980	2300	2670	3040	3440	3930	4930	6820



**DIN928 Square Weld Nuts M4-M16**

Product Name: DIN928 Square Weld Nuts

Key Words: square weld nuts, weld nuts, DIN928

Size: Diameter M4-M16

Material: Q195, Q235 all from china large state-owned factory with quality certificates

Surface Treatment: Natural steel plain surface

Customization: Customized dimension is available

Packing: 25kgs or 50kgs Bulk Woven Bag + Polywood Pallet

Application: Its suitable for welding outside the nut, with internal thread and use with the screw fasteners. It is used in a wide range, high strength, high temperature resistance, not easy to deformation, in some products, especially cars and other products and machines are often used.



Thread Size D		M4	M5	M6	M8	M10	7/16 (1)	7/16 (1)	M12	M14	M16
P	Coarse Thread	0.7	0.8	1	1.25	1.5	/	/	1.75	2	2
	Fine Thread -1	/	/	/	1	1	/	/	1.25	1.5	1.5
	Fine Thread -2	/	/	/	/	1.25	20	20	1.5	-	-
b	Nominal size	0.8	1	1.2	1.5	1.8	1.8	2	2	2.5	2.5
	max	0.95	1.15	1.35	1.65	2	2	2.2	2.2	2.7	2.7
	min	0.65	0.85	1.05	1.35	1.6	1.6	1.8	1.8	2.3	2.3
d1	min=nominal size (H13)	5	6	7.5	10	12.5	12.5	13.5	13.5	16.8	18.8
	max	5.18	6.18	7.72	10.22	12.77	12.77	13.77	13.77	17.07	19.13
d2	max	4.2	5.25	6.3	8.4	10.5	11.7	11.7	12.6	14.7	16.8
d3	min	6.4	8.2	9.1	12.8	15.6	15.6	17.4	17.4	20.4	22.4
e	min	9	12	13	16	22	22	25	25	28	32
h1	Nominal Size	0.6	0.8	0.8	1	1.2	1.2	1.4	1.4	1.4	1.6
	max	0.7	0.9	0.9	1.1	1.3	1.3	1.5	1.5	1.5	1.7
	min	0.5	0.7	0.7	0.9	1.1	1.1	1.3	1.3	1.3	1.5
h2	min	0.4	0.6	0.7	1.1	1.25	1.25	1.75	1.75	1.75	2
	max	1.3	1.5	1.8	2	2.2	2.2	3	3	3.2	4
m	max=nominal size (h13)	3.5	4.2	5	6.5	8	9	9	9.5	11	13
	min	3.2	3.9	4.7	6.14	7.64	8.64	8.64	9.14	10.57	12.57
s	max=nominal size (h13)	7	9	10	14	17	17	19	19	22	24
	min	6.64	8.64	9.64	13.57	16.57	16.57	18.48	18.48	21.48	23.48
per 1000 units ~ kg		0.81	1.7	2.4	6.5	11.3	12.5	16.5	16.5	26.7	35.8
Ensure the load(N)	Coarse Thread	6800	11000	15500	28300	44800	-	-	65300	89700	123000
	Fine Thread -1	-	-	-	30200	50200	-	-	72100	97500	132000
	Fine Thread -2	-	-	-	-	47800	53600	53600	68200	-	-



**Technical Parameters**

Metric thread				Inch thread			
Metric Thread ISO/DIN/GB/JIS				Anglo American Machine Thread			
Diameter	Coarse thread pitch	Fine thread pitch	Coarse thread outer diameter	Diameter	Coarse thread pitch	Fine thread pitch	Coarse thread outer diameter
M1	0.25	0.2	0.92-0.98	1/4	20	28	6.12-6.32
M1.6	0.35	0.2	1.50-1.58	5/16	18	24	7.69-7.90
M2	0.4	0.25	1.89-1.98	3/8	16	24	9.26-9.49
M2.5	0.45	0.35	2.38-2.48	7/16	14	20	10.82-11.07
M3	0.5	0.35	2.88-2.98	1/2	13	20	12.39-12.66
M4	0.7	0.5	3.84-3.97	9/16	12	18	13.96-14.24
M5	0.8	0.5	4.83-4.93	5/8	11	18	15.53-15.83
M6	1	0.75	5.80-5.98	3/4	10	16	18.68-19.00
M7	1	0.75	6.79-6.97	7/8	9	14	21.83-22.17
M8	1.25	1	7.77-7.97	1	8	12	24.97-25.34
M10	1.5	1.25	9.74-9.96	1-1/8	7	12	28.10-28.52
M12	1.75	1.5	11.71-11.96	1-1/4	7	12	32.28-31.96
M14	2	1.5	13.69-13.96	1-3/8	6	12	34.14-34.86
M16	2	1.5	15.69-15.96	1-1/2	6	12	37.76-38.05
M18	2.5	1.5	17.63-17.95	1-5/8	6	12	40.75-41.21
M20	2.5	1.5	19.63-19.95	1-3/4	5	8	43.60-44.38
M22	2.5	1.5	21.63-21.95	1-7/8	6	8	47.10-47.56
M24	3	2	23.58-23.95	2	4.5	8	49.89-50.73
M27	3	2	26.58-26.95	2-1/8	6	8	53.45-53.91
M30	3.5	3	29.52-29.95	2-1/4	4.5	8	56.24-57.08
M33	3.5	3	32.52-32.95	2-3/8	6	8	59.79-60.28
M36	4	3	35.47-35.94	2-1/2	4	8	62.51-63.42
M39	4	3	38.47-38.94	2-5/8	4	8	65.48-66.61
M42	4.5	4	41.44-41.94	2-3/4	4	8	68.86-69.77
M45	4.5	4	44.44-44.94	2-7/8	4	8	72.49-72.95
M48	5	4	47.40-47.93	3	4	8	75.21-76.12
M52	5	4	51.40-51.93	3-1/4	4	8	81.56-82.47
M56	5.5	4	55.37-55.93	3-1/2	4	8	87.91-88.82
M60	5.5	4	59.37-59.93	3-3/4	4	8	94.26-95.16
M64	6	4	63.32-63.92	4	4	8	100.61-100.151

Customized Products:



Coil Bolt



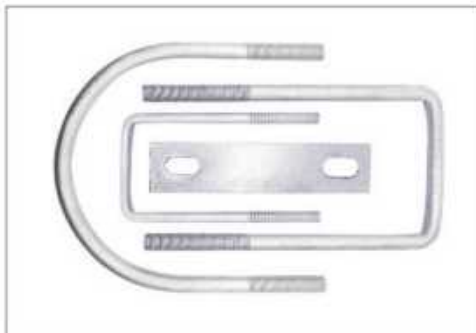
Foundation Anchor Bolt



Hook Bolt



Stud Bolt



U Bolt



Carriage Bolt



Self-Drilling Screw



Self-Drilling Screw



Drywall Screw



Wedge Anchor



Metal Frame Anchor



Shield Anchor



Square Nut



Domed Cap Nut



Lock Nut



Coupling For Rebar



Channel Nut



Square Washer



Channel Steel



Segment Bolt



Foundation Embedded Plate



pigtail eye bolts



Eye bolt



hexagon pillar



Handan City Tiancong Fastener Manufacturing Co.,Ltd

Certificates:



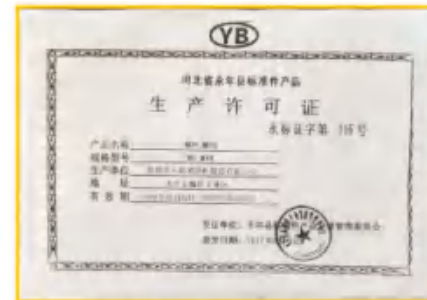
Business Licence



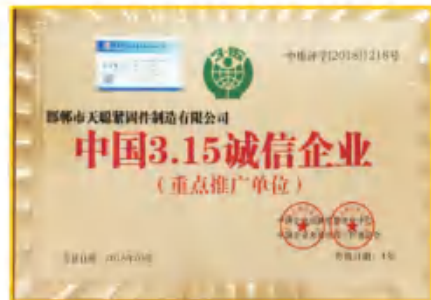
ISO 9001:2015



Imp&Exp Certificate



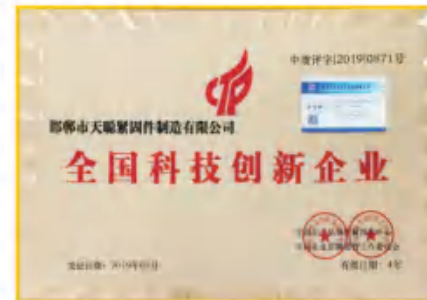
Production Licence



China credible enterprise awarded by "3.15" association



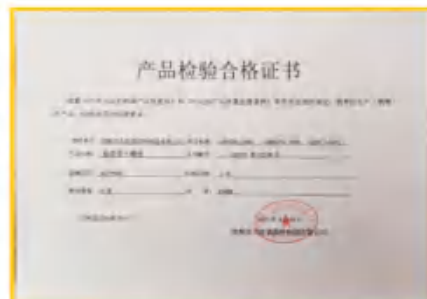
The first standing director of fastener council



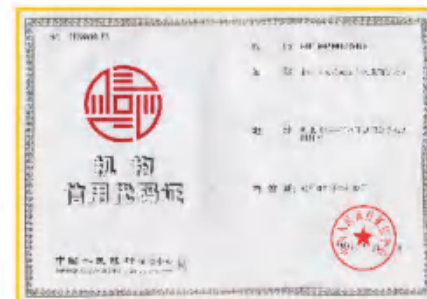
China technological innovation enterprise



National authority inspection & qualified products



Qualified Certificate



Bank Account Certificate



Handan City Tiancong Fastener Manufacturing Co.,Ltd

Classic Projects

Insistence

Commitment

Seriously

Preciseness

China 21th burea HS1058 big bridge project in Ethiopia

China overseas 24th bureau South Africa railway project

\$320,000 power bolt contract project with tianyuan corporation, in Vietnam, Bombay

Moscow high-speed railway construction line 4 project

China Hengda oversea #7-#23 project project in Malaysia

Country Garden #9-#21 building project in Singapore

Our Team



Sales Team



Exhibition Show



Elite Staff

Enterprise Values:

To achieve win-win cooperation among enterprises, employees, customers and society.

Enterprise Mission:

Help employees realize their life dreams and help customers to achieve strategic goals.

Enterprise Purpose:

To survive based on the market, to develop with good service, quality and reputation are both important.